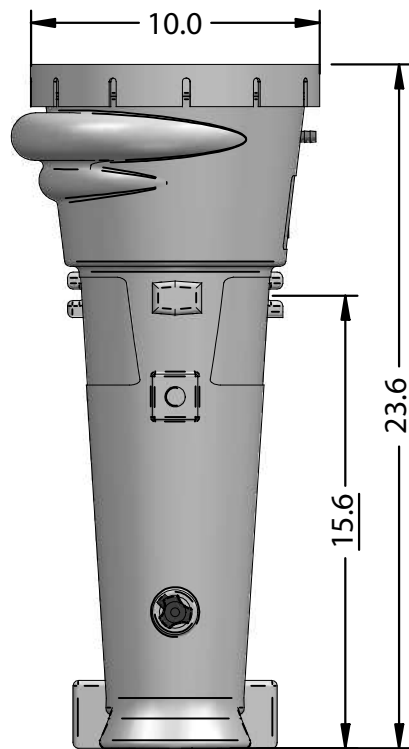
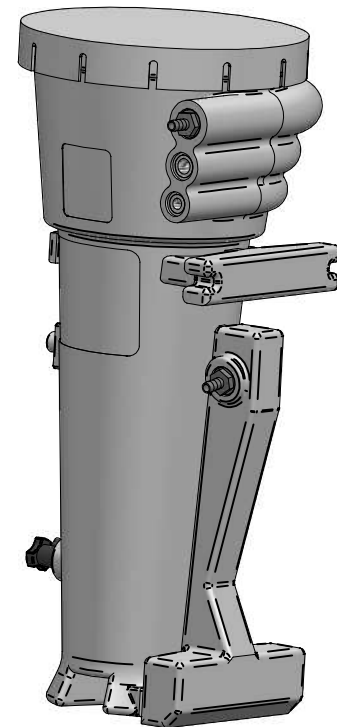



1



2



|  |      |            |  |  |
|--|------|------------|--|--|
| 2: SIDE VIEW   |      |            | <br><b>ULTRACHEM INC.</b> |  |
| 1: FRONT VIEW  |      |            |  |  |
|  | NAME | DATE       | <b>ENVIRO</b>  |  |
| DRAWN  | FK   | 19-09-2007 |  |  |
| CHECKED  |      |            | PART NUMBER:<br><b>9501</b>  |  |
| SIZE   |      |            | REV  |  |
| A4   |      |            | A  |  |
| ALL DIMENSIONS ARE IN INCHES UNLESS OTHERWISE STATED |      |            |  |  |
|  |      |            | SHEET: 1/1   |  |