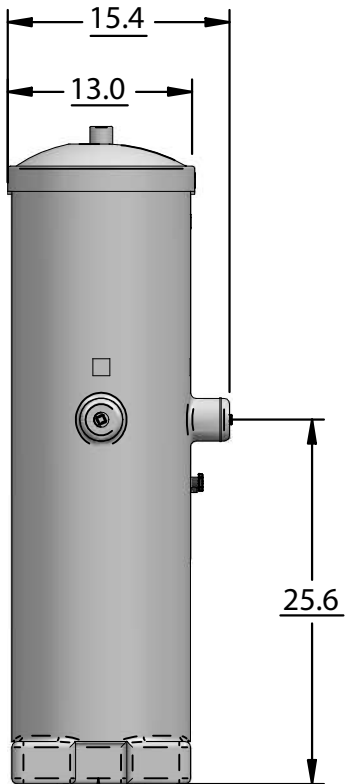
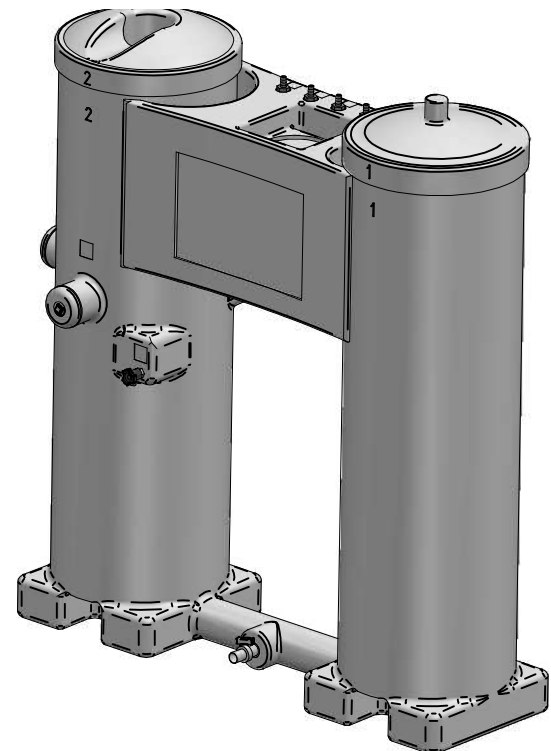



1



2



2: SIDE VIEW			 ULTRACHEM INC.	
1: FRONT VIEW				
	NAME	DATE	ABSORBALL 1250 PART NUMBER: 9510	
DRAWN	FK	19-09-2008		
CHECKED			SIZE: A4 REV: A ALL DIMENSIONS ARE IN INCHES UNLESS OTHERWISE STATED	